

CODE.550

Forged brass ball valve, full port, F-F, with steel handle, Mis. from 1/2" to 4"

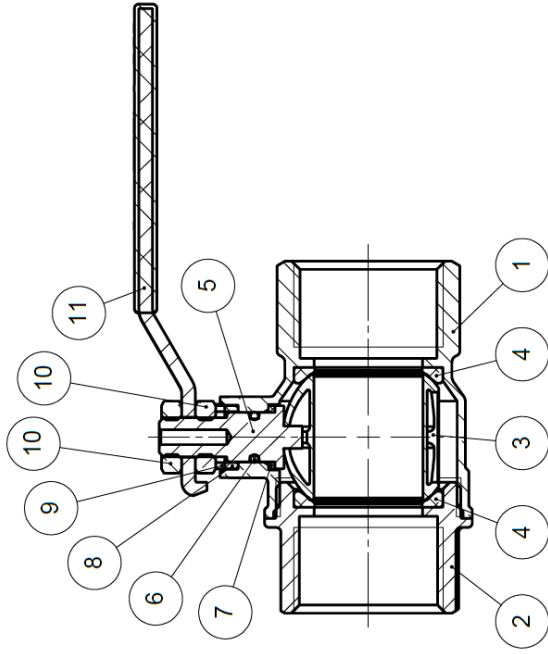
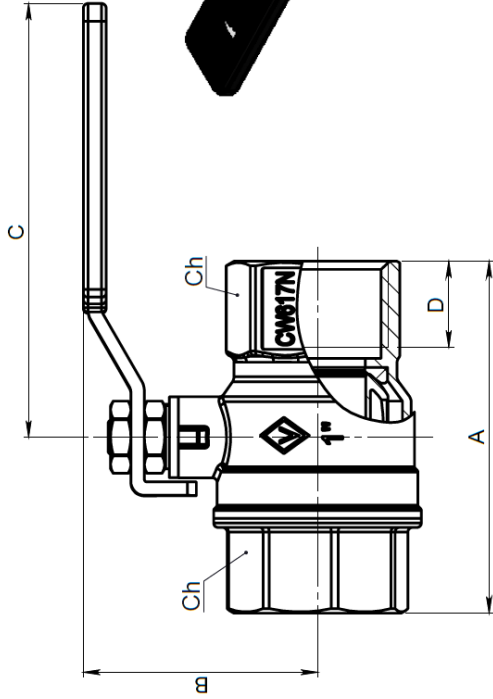
SPECIFICATION

Series	500
Thread ends	Female-Female: UNI EN 10226
Orifice	from 15 to 100 mm
Actuator	90° rotation with mechanical stop
Operator	Steel handle
APPLICATION	
Assembly in rigid pipe system	
Nominal pressure (PN) in bar: 14-64	
KV: flowrate coefficient m ³ /h	
Direction of flow: as desired	
Temperature range: -20 °C / +120°C	
Use: Water	

N°	Descrizione	Description	Materials	Treatment	Q.ty
1	Corpo	Body	CW617N	Nickel-Plated	1
2	Manicotto	End adapter	CW617N	Nickel-Plated	1
3	Sfera	Ball	CW617N	Ni+Cr	1
4	Guarnizione Sfera	Ball Seal	PTFE		2
5	Perno	Stem	CW614N		1
6	O-Ring	O-Ring	NBR		1
7	Guarnizione inferiore	Lower seal	PTFE x drinking water		1
8	Guarnizione superiore	Upper seal	PTFE x drinking water		1
9	Rondella	Brass ring	CW614N		1
10	Dado	Nut	STEEL UNI 5771	Zincatura	2
11	Leva	Handle	ALUMINIUM	Painted	1

Per mis. 2"1/2-3"-4" il fissaggio della leva Rif.11 avviene con vite
 For mis. 2"1/2-3"-4" the handle Rif.11 assembly is done with screw

Derominazione particolare / Name	Valvola a sfera, passaggio totale, F-F, con leva in acciaio	
Disegnato / Designed by	Formato / Format	Grezzo / Forged Code
Approvato / Approved by	A3	MEDIA UNI-ISO 2768/1
Data / Date	Scala / Scale	Lavorato / Finished Code
1:1	1:1	Trattato / Trealy Code
Tratt. Superficiale / Surface Treat.	Tratt. Termico / Thermal Treat.	Valido per / Available for
Nickel-Plated	Serie / Project N°	Produzione
N° Disegno / Drawing Nr.	Revisione / Revision	Peso / Weight
ART.550	-	g
Misura / Size	1/2"-4"	



DN	Rp	A	B	C	D	Ch	KV	PN
15	1/2"	59	40.5	85	15	25	16.3	64
20	3/4"	67	49	96.5	16.3	31	29.5	40
25	1"	79	53	96.5	19.1	38	43	40
32	1"1/4	95	60	120	21.4	47	89	30
40	1"1/2	106	66.5	120	21.4	54	230	30
50	2"	122	83	162	25.7	66	265	25
65	2"1/2	147	126	190	30.2	82	518	18
80	3"	170	142	225	33.3	96	820	16
100	4"	204	157	225	39.3	122	1180	14